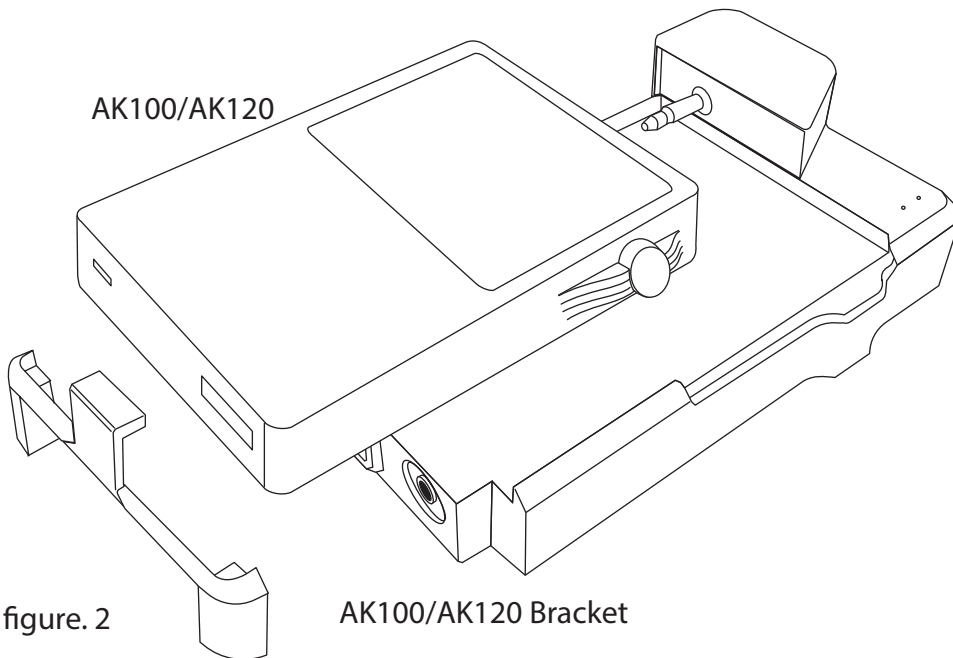


Glove Audio A1

figure. 1

## HOW TO...

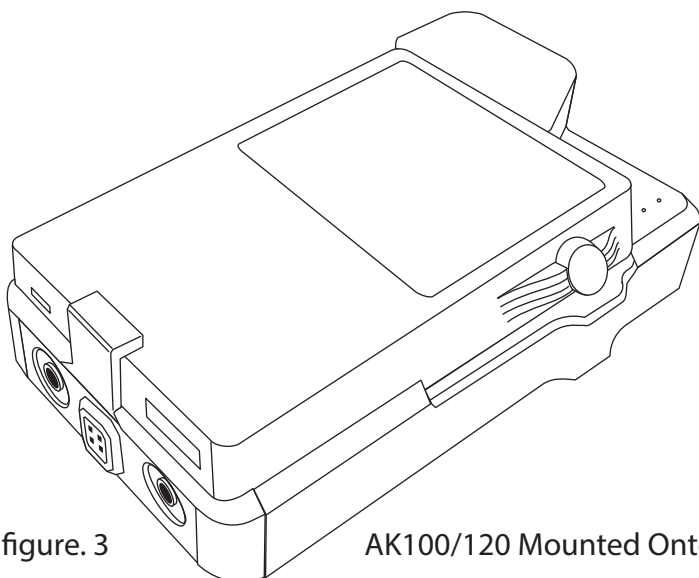
1. Place AK100/AK120 onto Glove Audio A1 amp/dac
2. Align the output socket of the AK player and insert into the 3.5mm optical plug of the A1
3. Select the appropriate bracket, attach and screw it in.



AK100/AK120

AK100/AK120 Bracket

figure. 2



AK100/120 Mounted Onto A1

figure. 3